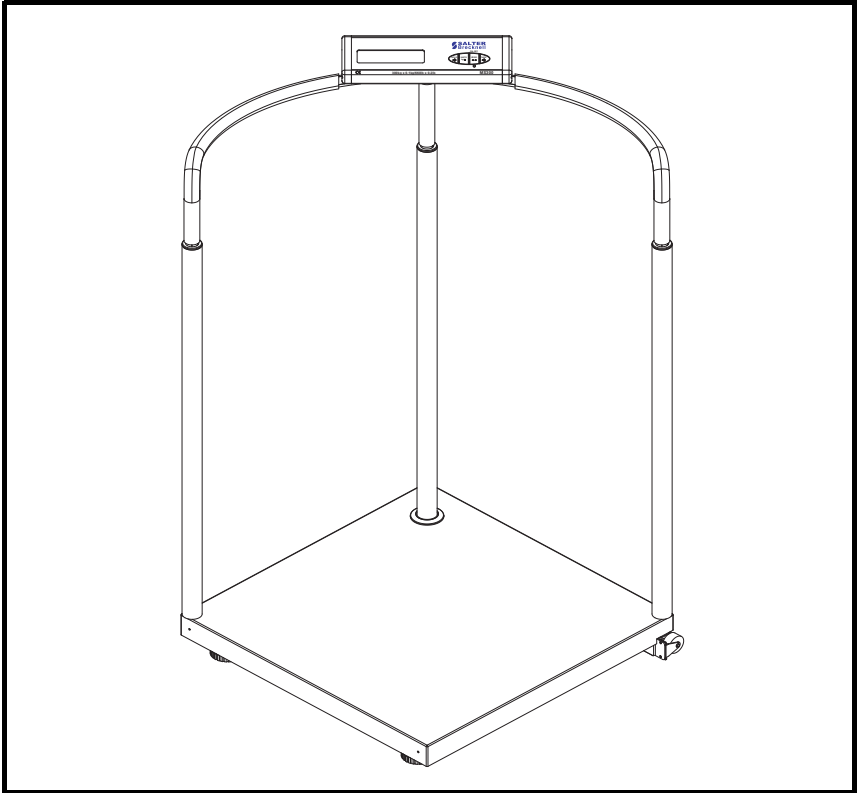


# MS300 Platform Scale



## *User Instructions*

ENGLISH

---

# Contents

page no.

	Declaration of Conformity	
	Safety	
	Warnings	2
	Safe installation	2
	Safe use	2
	Cleaning the machine	2
	EMC compliance	3
1	About your machine	4
	1.1 Description	4
	1.2 Display	4
	1.3 Key functions	4
	1.4 Error codes	5
	1.5 Specification	5
2	Weighing	6
	2.1 Hold function	8
3	Setup mode	10
	3.1 Function setup	10
	3.2 Calibration	12
4	RS-232 Communications Protocol	14
5	Procedure of Fabricating	15
	5.1 Move	19

This is a “Table of Contents preview” for quality assurance

The full manual can be purchased from our store:

<https://the-checkout-tech.com/manuals/Salter Brecknell/MS-300 user manual.html>

And our free Online Keysheet maker:

<https://the-checkout-tech.com/Cash-Register-Keysheet-Creator/>

[HTTPS://THE-CHECKOUT-TECH.COM](https://THE-CHECKOUT-TECH.COM)